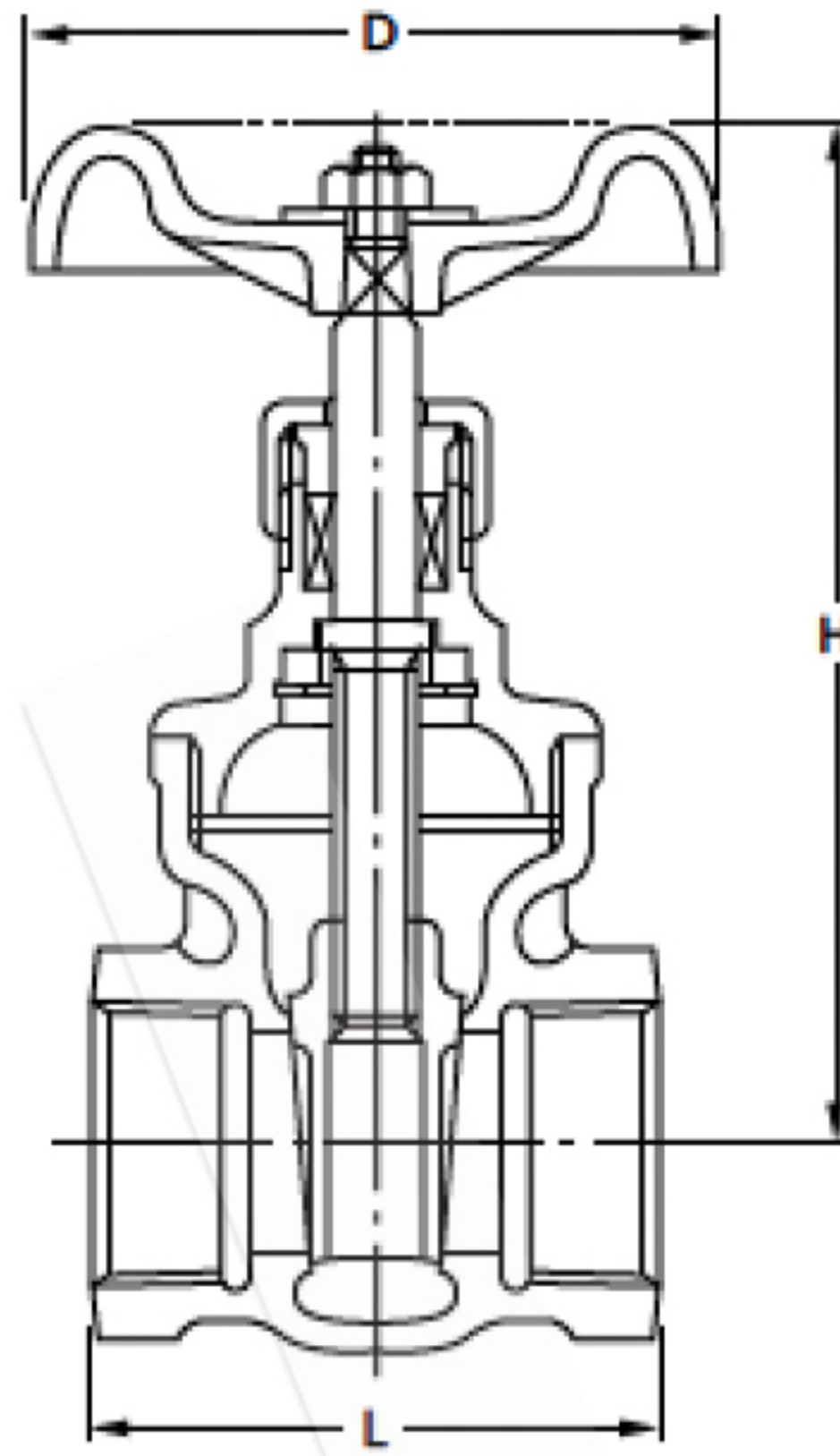


10K

GATE VALVE

Pressure-Temperature Rating: 1.0 MPa: 180°C

UELM



Parts	UEL	UELM
Body	SCS13A	SCS14A
Bonnet	SCS13A	SCS14A
Stem	SUS304	SUS316
Disc	SCS13A	SCS14A
Gland	SUS304	SUS316
Gland packing	Refer to Page 10	
Packing nut	SCS13A	
Handwheel	ZDC (15 & 20) / ADC12 (25 to 50)	
Name plate	A1050P	

Face to face dimensions: KITZ Std.
 End thread dimensions: JIS B0203
 Wall thickness: KITZ Std.

Nominal Size	Unit: mm					
	1/2	3/4	1	1 1/4	1 1/2	2
L	54	58	65	74	78	87
H	96	101	112	123	150	167
D	70	70	80	80	100	100